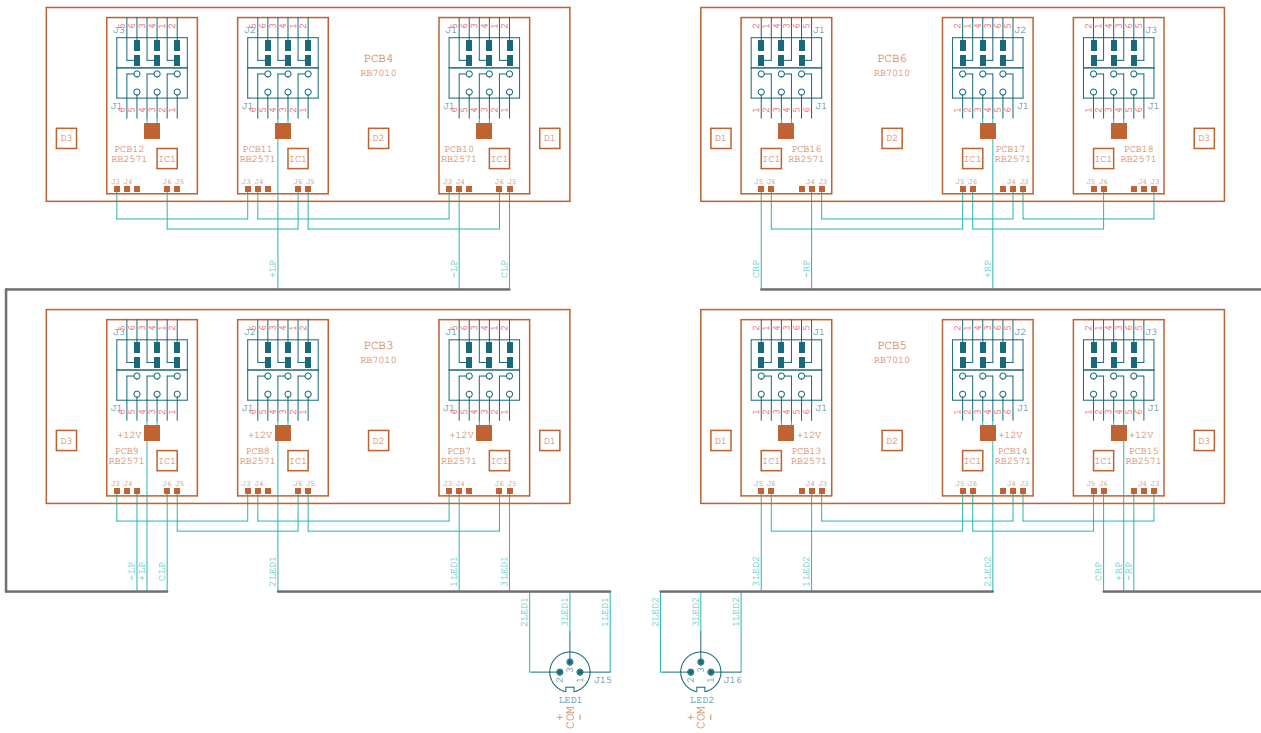
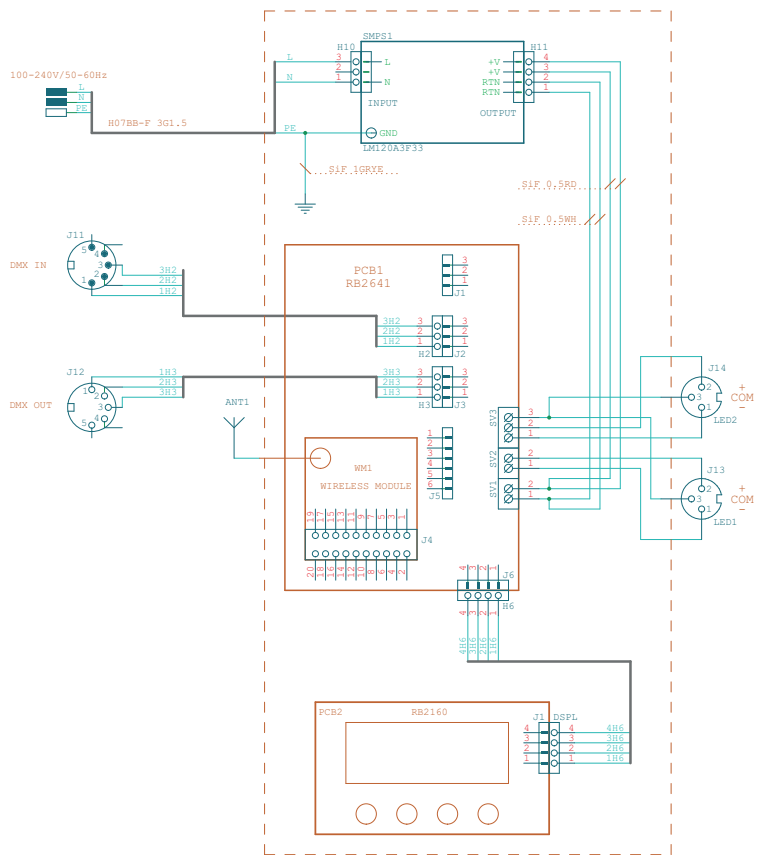


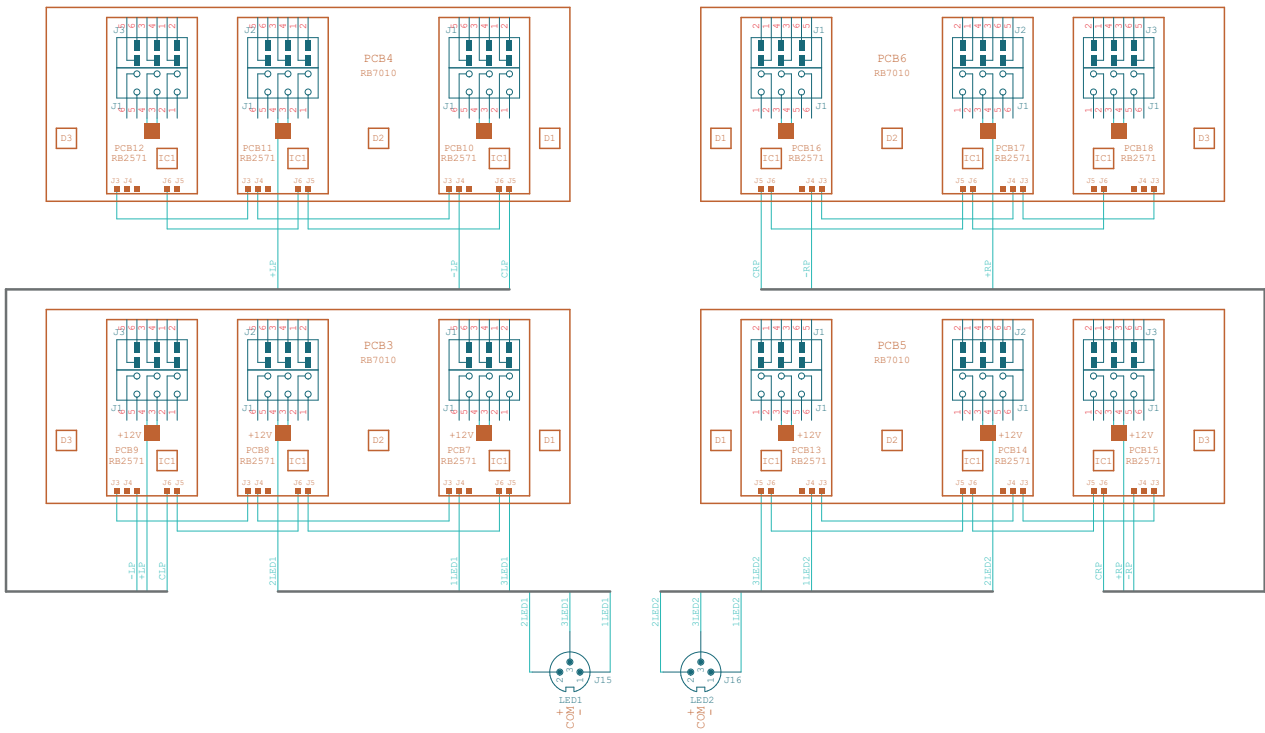
PRODUCT:	CityFlex 48		
TITLE:	WIRING DIAGRAM		
DOCUMENT:	FW 48 E1 V1.1		
VERSION:	1	DATE:	09.04.2013
		SHEET:	01 OF 08



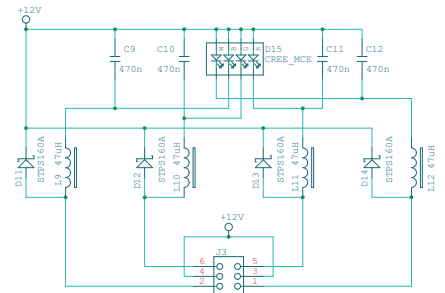
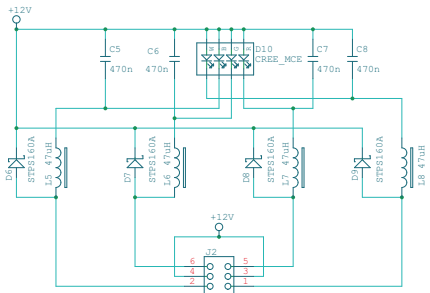
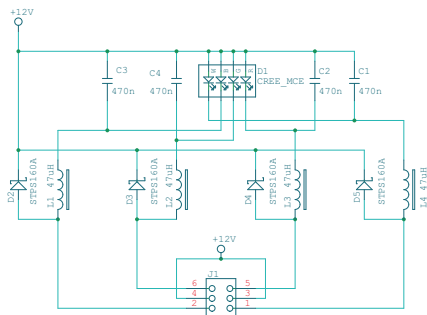
PRODUCT: CityFlex 48		
TITLE: WIRING DIAGRAM		
DOCUMENT: FW 48 E2 V1.1		
VERSION: 1	DATE: 09.04.2013	SHEET: 02 OF 08



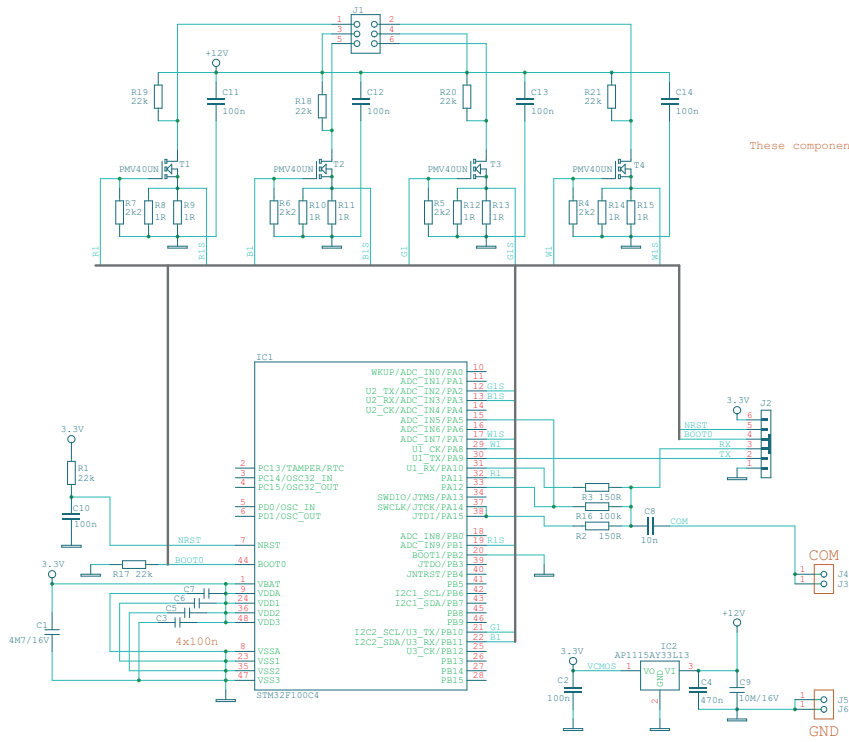
PRODUCT: CityFlex 48/W		
TITLE: WIRING DIAGRAM		
DOCUMENT: FW 48 E1 V2.0		
VERSION: 1	DATE: 09.04.2013	SHEET: 03 OF 08



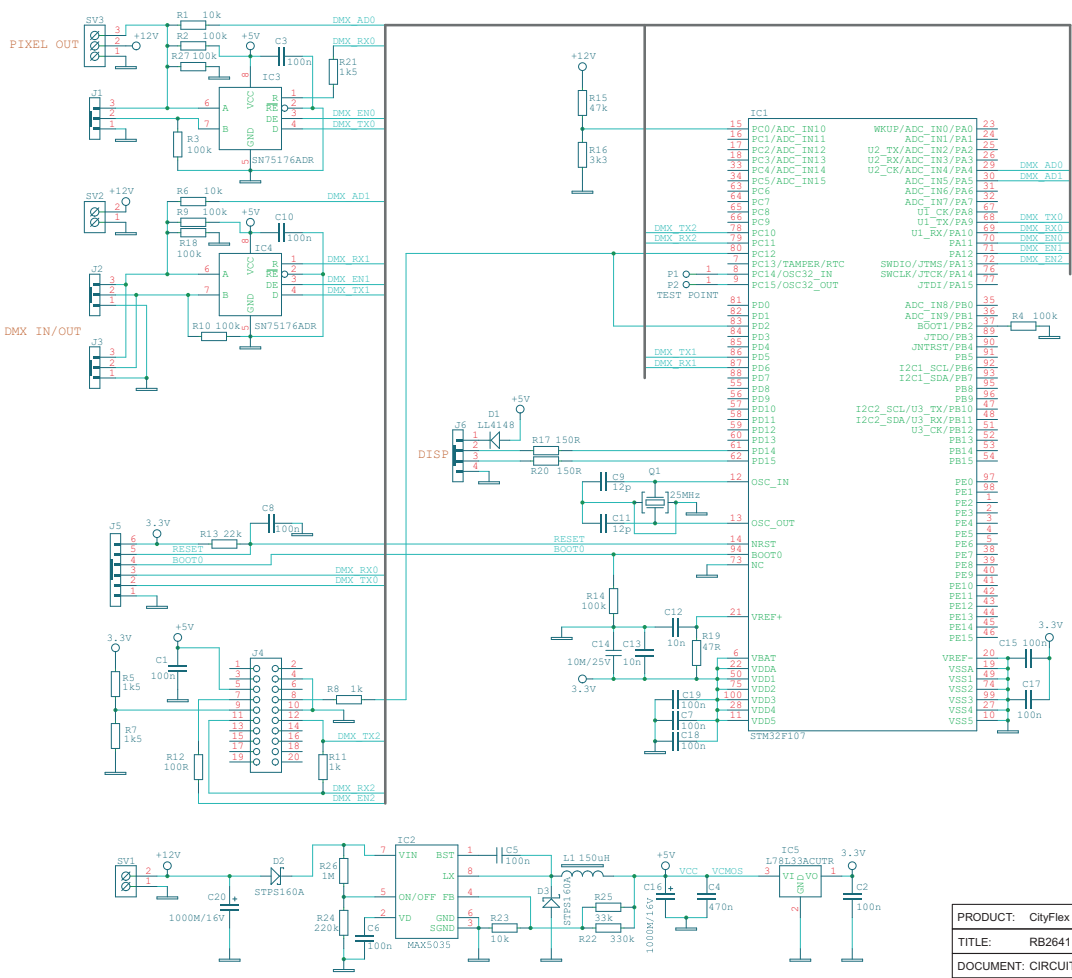
PRODUCT: CityFlex 48/W		
TITLE: WIRING DIAGRAM		
DOCUMENT: FW 48 E2 V2.0		
VERSION: 1	DATE: 09.04.2013	SHEET: 04 OF 08



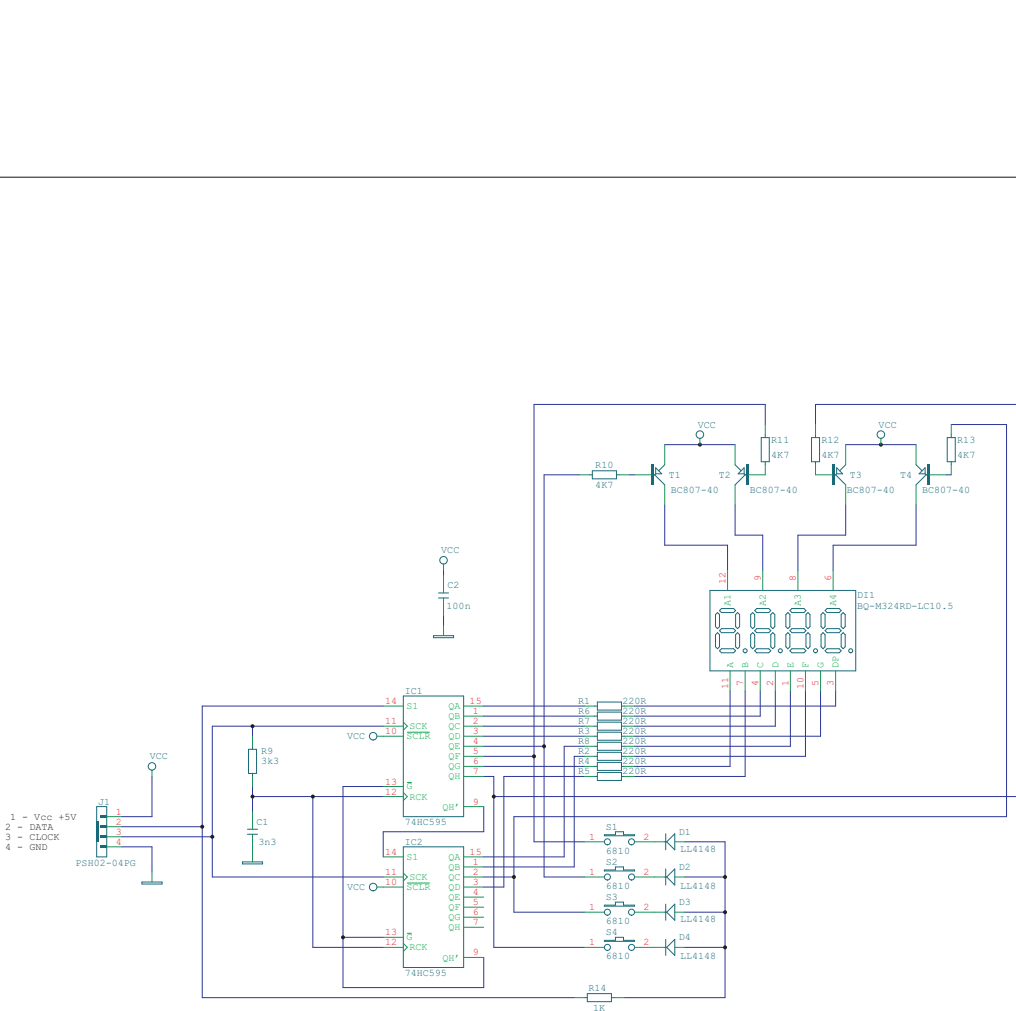
PRODUCT: CityFlex 48		
TITLE: RB7010		
DOCUMENT: CIRCUIT DIAGRAM		
VERSION: 1	DATE: 09.04.2013	SHEET: 05 OF 08



PRODUCT:	CityFlex 48
TITLE:	RB2571
DOCUMENT:	CIRCUIT DIAGRAM
VERSION:	1
DATE:	09.04.2013
SHEET:	06 OF 08



PRODUCT:	CityFlex 48
TITLE:	RB2641
DOCUMENT:	CIRCUIT DIAGRAM
VERSION:	1
DATE:	09.04.2013
SHEET:	07 OF 08



- 1 - Vcc +5V
- 2 - DATA
- 3 - CLOCK
- 4 - GND

PRODUCT: CityFlex 48		
TITLE: Display RB2160		
DOCUMENT: CIRCUIT DIAGRAM		
VERSION: 1	DATE: 09.04.2013	SHEET: 08 OF 08